

# 2 PC Class 150 Flanged Ball Valve (6"-12")

## VB2F: Class 150

FULL BORE

FACE TO FACE: ANSI B16.10

ISO 5211 ACTUATOR MOUNTING FLANGE

DESIGN TO ANSI B16.34

FLANGE: ANSI B 16.5 CLASS 150

ANTI STATIC DEVICE & BLOW OUT PROOF STEM

FIRE SAFE DESIGN

TESTING TO API 598

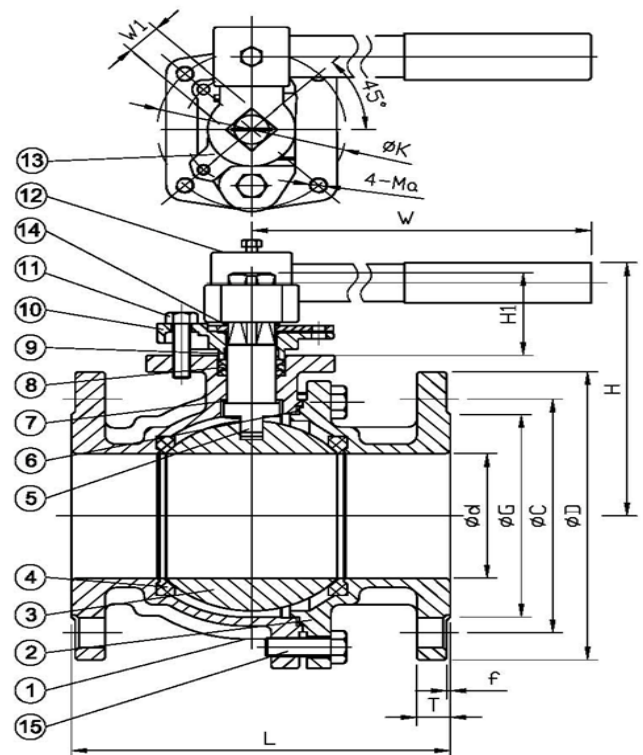
SEAT/SEAL: 15% REINFORCED GLASSFIBER PTFE

TEMP RANGE -20 – 200 DEG C



# ENERGY VALVES

NO	PART NAME	MATERIALS		
1	BODY	CF8M	CF8	WCB
2	CAP	CF8M	CF8	WCB
3	BALL	CF8M	CF8	CF8
4	SEAT	15% GLASS FILLED PTFE		
5	STEM	S/S 316	S/S 304	S/S 304
6	GASKET	15% GLASS FILLED PTFE		
7	THRUST WASHER	PTFE		
8	PACKING	PTFE		
9	STEM PACKING	PTFE		
10	GLAND	CF8		
11	GLAND BOLT	SS 304		
12	HANDLE	WCB		
13	STOPPER	SS 304		
14	SNAP RING	SS 304		
15	BOLT	SS 304		



## DIMENSIONS

SIZE	d	D	C	G	F	T	N	M	L	H	H1	K	ISO 5211	Ma	W	W1	KGs
5"	125	254	216	186	1.6	23.9	8	22	356	224	63	125	F12	M12	750	24	38
6"	150	279	241.5	216	1.6	25.4	8	22	394	247	59	125	F12	M12	750	24	57
8"	200	343	298.5	270	1.6	28.6	8	22	457	305	74	125	F12	M12	850	32	93
10"	250	406	362	324	1.6	30.2	12	22	533	327	98	140	F14	M16	1000	32	147

Energy Valves is a division of Energy Engineered Products (Pty) Ltd.  
30 Monte Carlo Crescent Kyalami Park, Midrand, South Africa

Tel: +27 11 466 1926 Fax: +27 11 466 1692 Email: [sales@energyproducts.co.za](mailto:sales@energyproducts.co.za) Web: [www.energyproducts.co.za](http://www.energyproducts.co.za)