



DOUBLE DOOR WAFER CHECK VALVE

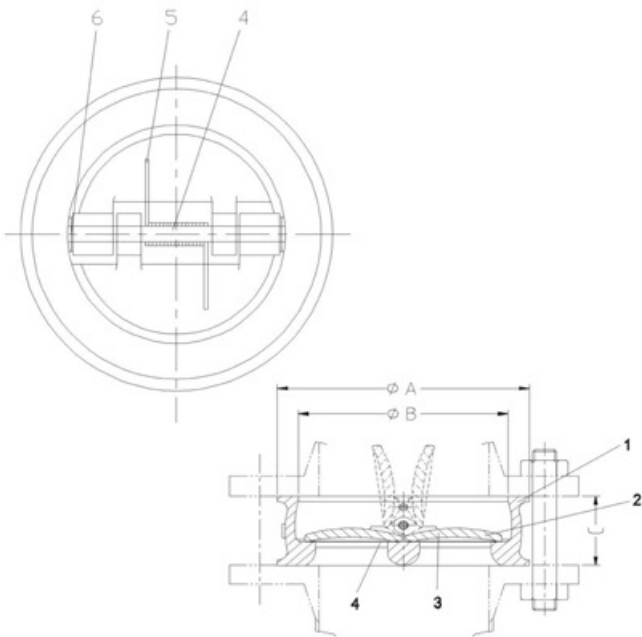


JV-9004

Port Bore	Full Bore
Material	FC-20 (Cast Iron), FCD45 (Ductile Iron), CF8M (S/S316), CF8 (S/S304), WCB
Flange	ANSI-150/300, JIS-10K/20K, DIN-PN16/40
Pressure	200PSI (PN16) for Water, Oil, Gas Industry
Disc	Alum. Bronze Alloy, S/S316, S/S304, WCB
Seat	NBR/EPDM, Viton, Metal to Metal
Spring	S/S316



DOUBLE DOOR WAFER CHECK 07



MATERIAL LIST

NO	PART	MATERIAL
1	BODY	FC-20 (Cast Iron)
		FCD45 (Ductile Iron)
		CF8M, CF8, WCB
2	DISC	Aluminum Bronze Alloy
		CF8M, CF8, WCB
3	HINGE PIN	S/S304, S/S316
4	STOP PIN	S/S304, S/S316
5	SPRING	S/S316
6	BODY BEARING	PTFE
7	SEAT	NBR/EPDM, Viton,
		Metal to Metal

DIMENSIONS (mm)

SIZE	INCH	1-1/2"	2"	2-1/2"	3"	4"	5"	6"	8"	10"	12"	14"	16"	18"	20"	22"
	mm	40	50	65	80	100	125	150	200	250	300	350	400	450	500	550
A		86	101	121	131	171	187	217	276	330	406	447	511	546	603	657
B		60	60	73	89	114	141	168	219	273	324	356	406	457	508	559
C		60	60	67	73	73	87	98	127	146	181	184	191	203	219	219
WEIGHT (KG)		1.8	2.5	3.5	4.5	8	10	13	28	45	68	95	132	147	202	230